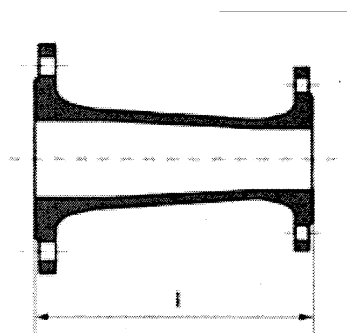


### Flanšinis perėjimas

Sanistal artikulas	Dn1/Dn2	Kaina be PVM
422510650	65/50	106.00
422510803	80/50	110.00
422510804	80/65	115.00
422511000	100/50	125.00
422511001	100/65	127.00
422511002	100/80	120.00
422511501	150/50	217.00
542250047	150/65	187.00
422511502	150/80	187.00
422511503	150/100	187.00
422512001	200/100	251.00
422512003	200/150	292.00
*	250/150	394.00
422513000	300/100	638.00
422513001	300/150	638.00
422513002	300/200	692.00



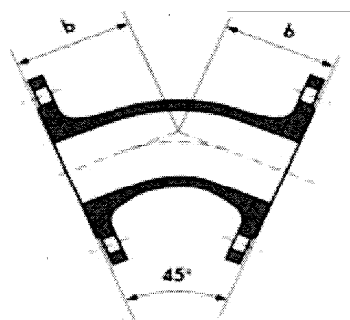
### Flanšinė alkūnė 90'

Sanistal artikulas	Dn	Kaina be PVM
422500501	50	126.00
642250002	65	128.00
422500805	80	143.00
422501005	100	170.00
422501505	150	279.00
422502005	200	492.00
422502505	250	836.00
422503005	300	1022.00



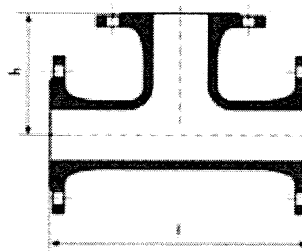
### Flanšinė alkūnė 45'

Sanistal artikulas	Dn	Kaina be PVM
422500803	80	230.00
422501003	100	259.00
422501503	150	348.00
422502003	200	612.00
422502503	250	960.00
422503003	300	1625.00



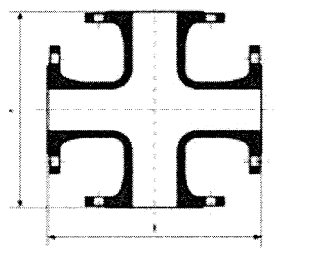
### Flanšinis trišakis

Sanistal artikulas	Dn1/Dn2	Kaina be PVM
422530500	50/50	172.00
422530600	65/50	183.00
422530601	65/65	202.00
422530801	80/50	204.00
542250018	80/65	204.00
422530803	80/80	213.00
422531000	100/50	266.00
422531001	100/65	268.00
422531003	100/80	253.00
422531004	100/100	270.00
422531501	150/50	400.00
422531502	150/80	387.00
422531503	150/100	398.00
422531505	150/150	412.00
642250032	200/65	568.00
422532001	200/100	568.00
422532003	200/150	621.00
422532004	200/200	613.00
422532502	250/100	898.00
422532503	250/150	1074.00
422532504	250/200	1128.00
422532505	250/250	1256.00
422533001	300/100	1320.00
422533002	300/150	1315.00
422533003	300/200	1317.00
422533005	300/300	1521.00



### Flanšinis ketršakis

Sanistal artikulas	Dn	Kaina be PVM
422520650	65	319.00
422520800	80	401.00
422521000	100	404.00
422521500	150	702.00
422522000	200	1064.00
542250023	300	2166.00
542250036	400	4980.00



### Flanšas-lygus galas

Sanistal artikulas	Dn1/Dn2	Kaina be PVM
422550080	80	162.00
422550100	100	171.00
422550150	150	295.85
422550200	200	361.00
422550300	300	945.00



### Flanšinis tarpvamzdīs

Sanistal artikulas	Dn-L(mm)	Kaina be PVM
422510010	100-100	130.00
422510020	100-200	147.00
422510030	100-300	172.00
422510040	100-400	208.00
422510050	100-500	228.00
422510100	100-1000	398.00

### Aklinas flanšas

Sanistal artikulas	Dn	Kaina be PVM
422570500	50	44.00
422570650	65	45.00
422570800	80	49.00
422571000	100	58.00
422571500	150	82.00
422572000	200	130.00
542250040	250	210.00
*	300	304.00

### Sriegtas flanšas

Sanistal artikulas	Dn/ Sriegis	Kaina be PVM
642258501	50 / 1"	60.00
642258505	50 / 1 1/4"	60.00
542258503	50 / 1 1/2"	60.00
642258502	50 / 2"	60.00
642258651	65 / 1"	63.00
642258652	65 / 2"	63.00
642258802	80 / 2"	66.00
642258101	100 / 1"	72.00
542258504	100 / 1 1/2"	72.00
642258102	100 / 2"	72.00
542258103	100 / 3"	72.00
642258103	100 / 1 1/4"	72.00
642258152	150 / 2"	101.00
642258202	200 / 2"	152.00

### Sagos tipo redukcijos

Sanistal artikulas	Dn	Kaina be PVM
642252002	80/50	132.00
642252003	80/65	132.00
642252004	100/50	150.00
642252005	100/65	136.00
642252006	100/80	215.00
642252007	150/50	378.00
642252008	150/65	217.00
642252009	150/80	208.00
642252010	150/100	220.00
642252011	200/50	479.00
642252012	200/65	249.00
642252013	200/80	280.00
642252014	200/100	260.00
642252015	200/150	320.00
542252016	250/150	330.00
54225017	250/200	317.00
542252020	300/200	403.00

